

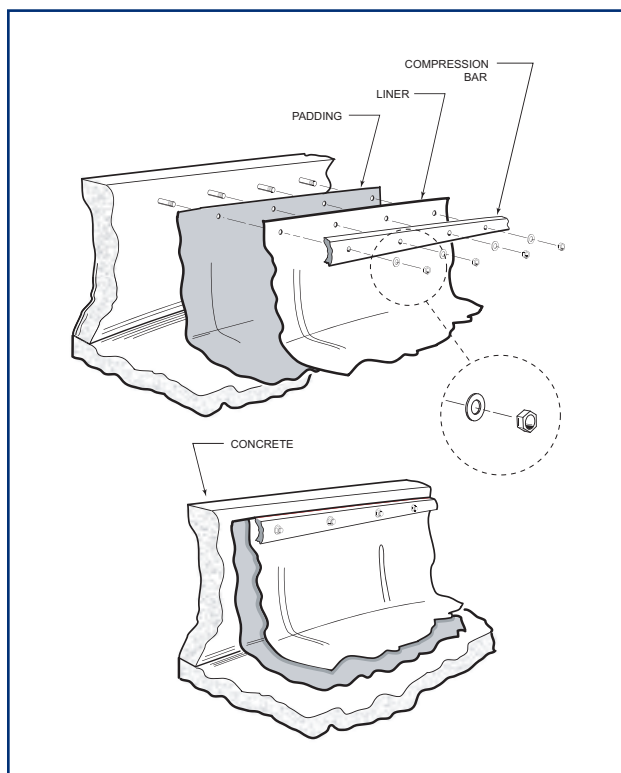
Method of Attachment

| Batten Strip

For use in secondary containment or tanks (typically constructed of concrete), the Flexi-Liner™ Batten Strip Attachment System provides simple but effective mechanical attachment.

The Flexi-Liner™ Batten Strip Attachment System utilizes simple but effective mechanical means to ensure long-lasting lining performance. The Batten Strip Attachment System provides the following benefits:

- Rapidly deployed or dismantled (minimizes down time)
- No bonding required (no adhesives or chemicals to apply or cure)
- Simple and cost-effective design
- Durable



1. Anchors are installed at the top of containment wall using a hammer drill. If necessary, geotextile padding is laid out. Liner is positioned on floor and wall and placed over anchors.
2. Pre-drilled, 3" wide batten strip secures padding and liner to wall using stainless steel washers and nuts.
3. When necessary, polyurethane sealant is applied across the top of batten strip and liner.

New Life for Old Tanks, Long Life for New Tanks